



Richmond



Positive display

RH-Q/HTN



Golden Frame

RH-Q/HTN-G



RH-Q series of room thermostats are applied to control the fan coil, water valve and air valve of the central air-conditioning terminal in the commercial industrial and civil buildings.

RH-Q/HTN Series of Thermostat

Feature:

- ✓ Capacitive touch technology, gently touch function can be realized
- ✓ Ultra thin design tempered glass panel, large and full LCD screen ,elegant and decent
- ✓ Integrated design, easy to install, high reliability
- ✓ Four fan speed set, Low/Middle/High/Auto
- ✓ 24 hours timing power on/off function, the adjustable step is one hour
- ✓ Sleeping function, more comfortable and energy saving
- ✓ Fire resistance grade VII
- ✓ Model no. with “Y” is integrated thermostat, applied for controlling the fan coil and under floor water heating system
- ✓ CE approval

Technical Parameter:

- Working Voltage: AC220 ± 10%, 50HZ
- Working Environment: -5°C~50°C
- Storing Environment Temperature: -10°C~60°C
- Temperature Control Range: 5°C~35°C
- Temperature Control Precision: ±1 °C
- Current load: <3A (resistive load)
- Wire diameter: ≥0.75 mm² (18AWG)
- Grade of protection: IP53
- Installation: 86 type standard box

**Richmond****Model Spec.:**

<i>Model</i>	<i>Display Mode</i>	<i>Apply to Equipment</i>	<i>Back Light</i>	<i>Timing</i>	<i>PIR</i>	<i>Mainframe Linkage</i>
RH-Q-T	HTN	Two Pipe	√	√		
RH-Q.v-T	VATN	Two Pipe	√	√	√	
RH-Q-F	HTN	Four Pipe	√	√		
RH-Q.v-F	VATN	Four Pipe	√	√	√	
RH-Q-Y	HTN	Integration	√	√		
RH-Q.v-Y	VATN	Integration	√	√	√	
RH-Q-TH1	HTN	Two Pipe	√	√		√
RH-Q.v-TH1	VATN	Two Pipe	√	√	√	√

With RS-485 Communication:

<i>Model</i>	<i>Display Mode</i>	<i>Apply to Equipment</i>	<i>Back Light</i>	<i>Timing</i>	<i>PIR</i>	<i>RS-485 Communication</i>
RH-Q-S-T	HTN	Two Pipe	√	√		√
RH-Q.v-S-T	VATN	Two Pipe	√	√	√	√
RH-Q-S-F	HTN	Four Pipe	√	√		√
RH-Q.v-S-F	VATN	Four Pipe	√	√	√	√
RH-Q-S-Y	HTN	Integration	√	√		√
RH-Q.v-S-Y	VATN	Integration	√	√	√	√

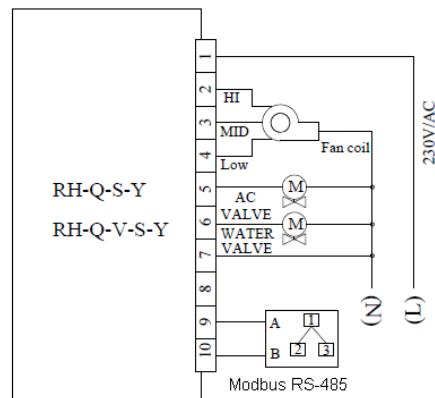
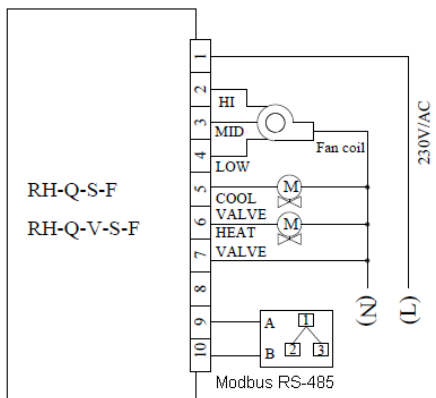
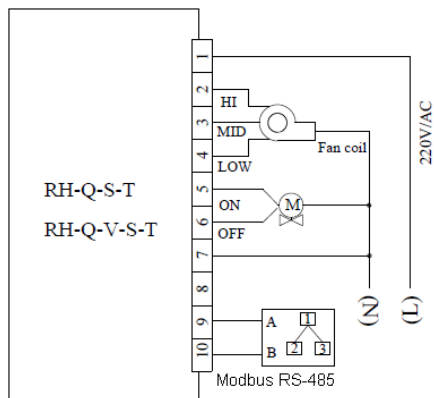
Legend:

- RH-Q Richmond Q series
- T Two pipe
- F Four pipe
- S Modbus
- Y Integration
- R Remote control function

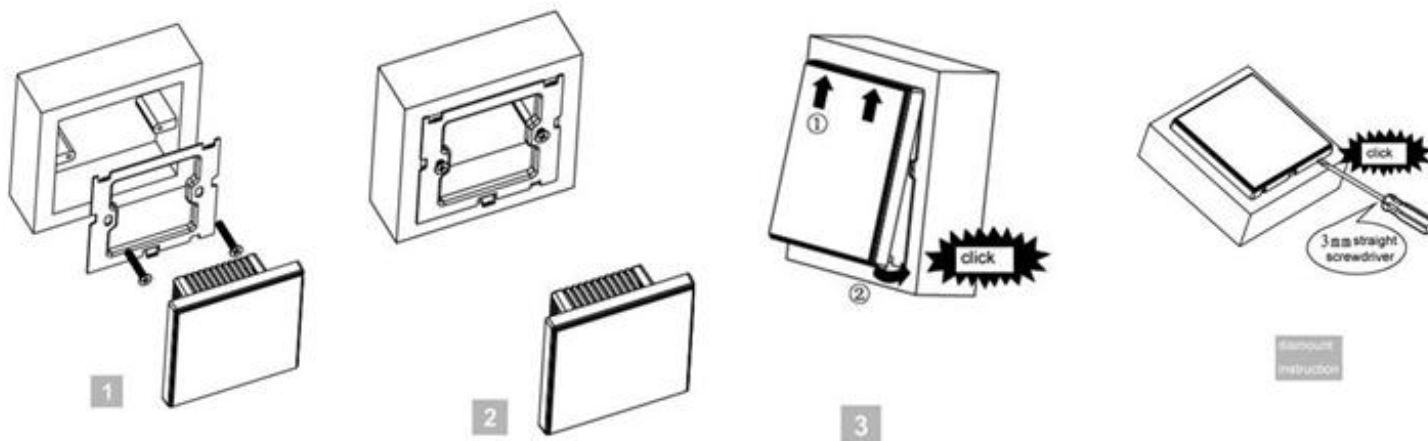


Richmond

Wiring Diagram:



Installation:



Mounting instruction

