



Reverse display

RH-Q/VATN



RH-Q series of room thermostats are applied to control the fan coil, water valve and air valve of the central air-conditioning terminal in the commercial industrial and civil buildings.

RH-Q/VATN Series of Thermostat

Feature:

- ✓ Capacitive touch technology, gently touch function can be realized
- ✓ Ultra thin design tempered glass panel, large and full LCD screen ,elegant and decent
- ✓ Integrated design, easy to install, high reliability
- ✓ Four fan speed set, Low/Middle/High/Auto
- ✓ 24 hours timing power on/off function, the adjustable step is one hour
- ✓ Sleeping function, more comfortable and energy saving
- ✓ Infrared remote control function (Optional)
- ✓ PIR motion sensor to activate the display
- ✓ Fire resistance grade VII
- ✓ Model no. with “Y” is integrated thermostat, applied for controlling the fan coil and under floor water heating system
- ✓ CE approval

Technical Parameter:

- | | |
|------------------------------------|-------------------------------|
| ➤ Working Voltage: | AC220 ± 10%, 50HZ |
| ➤ Working Environment: | -5°C~50°C |
| ➤ Storing Environment Temperature: | -10°C~60°C |
| ➤ Temperature Control Range: | 5°C~35°C |
| ➤ Temperature Control Precision: | ±1 °C |
| ➤ Current load: | <3A (resistive load) |
| ➤ Wire diameter: | ≥0.75 mm ² (18AWG) |
| ➤ Grade of protection: | IP53 |
| ➤ Installation: | 86 type standard box |

Model Spec.:

<i>Model</i>	<i>Display Mode</i>	<i>Apply to Equipment</i>	<i>Back Light</i>	<i>Timing</i>	<i>PIR</i>	<i>Mainframe Linkage</i>
RH-Q-T	HTN	Two Pipe	√	√		
RH-Q.v-T	VATN	Two Pipe	√	√	√	
RH-Q-F	HTN	Four Pipe	√	√		
RH-Q.v-F	VATN	Four Pipe	√	√	√	
RH-Q-Y	HTN	Integration	√	√		
RH-Q.v-Y	VATN	Integration	√	√	√	
RH-Q-TH1	HTN	Two Pipe	√	√		√
RH-Q.v-TH1	VATN	Two Pipe	√	√	√	√

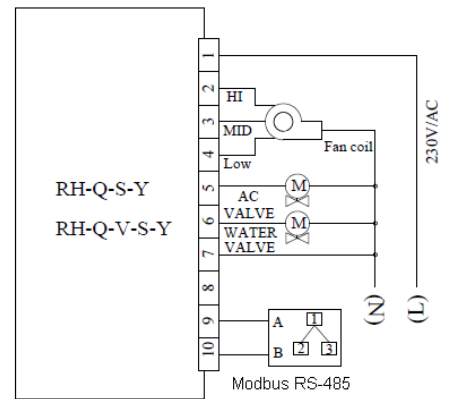
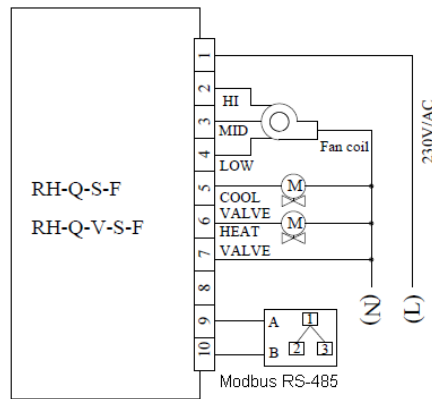
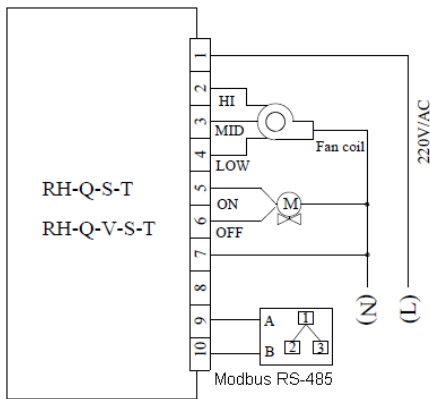
With RS-485 Communication:

<i>Model</i>	<i>Display Mode</i>	<i>Apply to Equipment</i>	<i>Back Light</i>	<i>Timing</i>	<i>PIR</i>	<i>RS-485 Communication</i>
RH-Q-S-T	HTN	Two Pipe	√	√		√
RH-Q.v-S-T	VATN	Two Pipe	√	√	√	√
RH-Q-S-F	HTN	Four Pipe	√	√		√
RH-Q.v-S-F	VATN	Four Pipe	√	√	√	√
RH-Q-S-Y	HTN	Integration	√	√		√
RH-Q.v-S-Y	VATN	Integration	√	√	√	√

Legend:

- RH-Q Richmond Q series
- v VATN which has PIR function
- T Two pipe
- F Four pipe
- S Modbus
- Y Integration
- R Remote control function

Wiring Diagram:



Installation:

